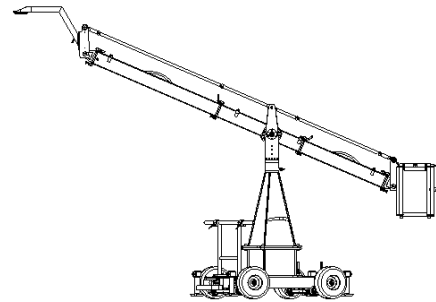


14 MT 400 remote head versions

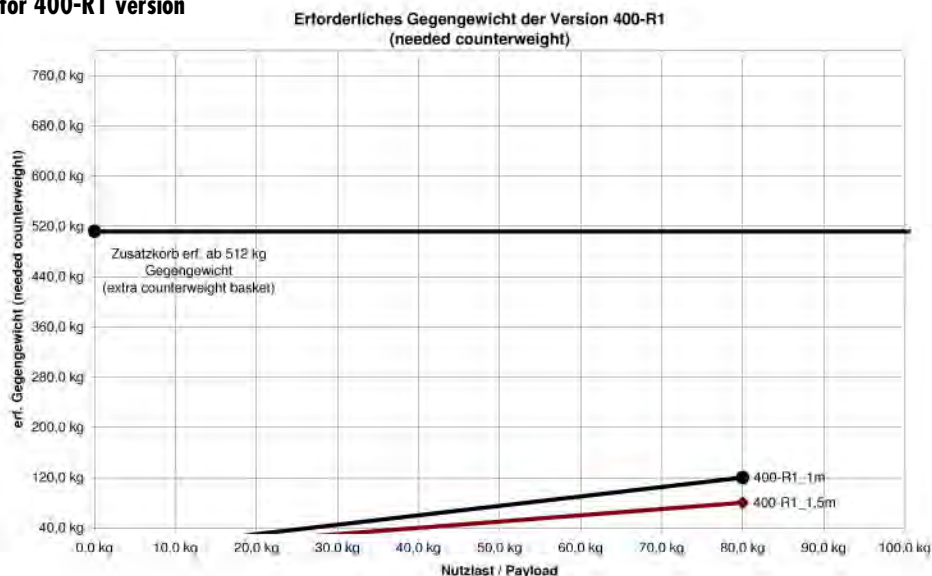
14.1 400-R1 version

CAUTION: Only the bottom weight basket can be mounted when used without strut bar!

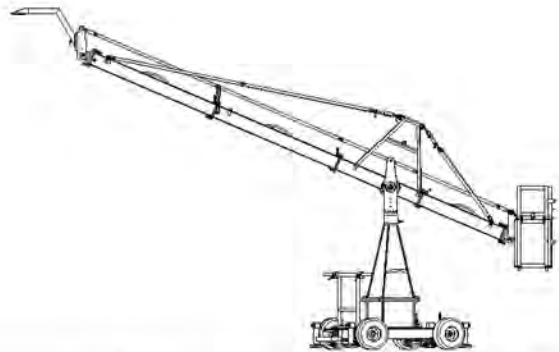


Rear boom		1 m	1.5 m
Required boom, front		1 x 1.5 m	1 x 1.5 m
Strut bars / parallelogram bars	Front	1 x 1.5 m	1 x 1.5 m
	Rear	1 x 1 m	1 x 1.5 m
Total travel		3.71 m	3.71 m
Maximum height	Without column extension	3.82 m	3.38 m
	With column extension	4.15 m	4.05 m
Counterweight unloaded		0 kg	0 kg
Payload		80 kg	80 kg
Counterweight with payload		120 kg	80 kg
Boom length	Front (reception flange)	3.01 m	3.01 m
	Rear (outer edge of basket)	1.97 m	2.45 m
Own weight without payload and counterweights		229.7 kg	256.2 kg

Tab. 7: Data for 400-R1 version

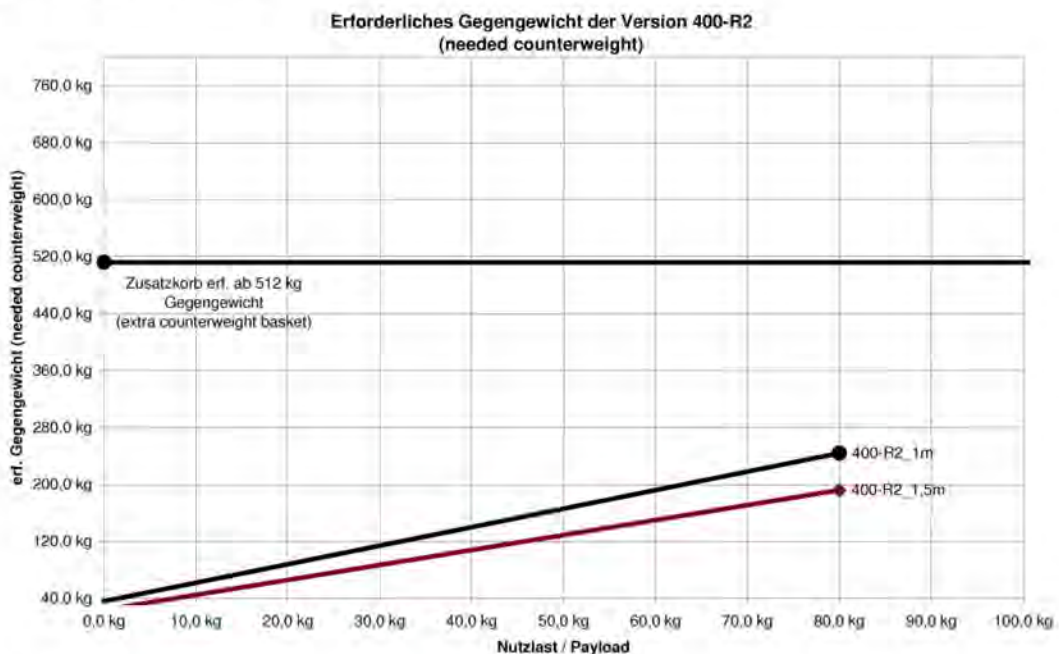


14.2 400-R2 version

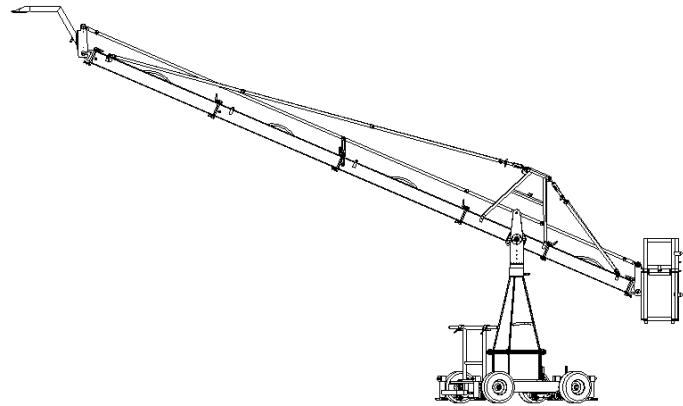


Rear boom		1 m	1.5 m
Required boom, front		2 x 1.5 m	2 x 1.5 m
Strut bars / parallelogram bars	Front	6 x 1.5 m	6 x 1.5 m
	Rear	3 x 1 m	3 x 1.5 m
Total travel		6.06 m	6.06 m
Maximum height	Without column extension	4.99 m	4.28 m
	With column extension	5.32 m	4.61 m
Counterweight unloaded		40 kg	0 kg
Payload		80 kg	80 kg
Counterweight with payload		245 kg	195 kg
Boom length	Front (reception flange)	4,57 m	4,57 m
	Rear (outer edge of basket)	1.97 m	2.45 m
Own weight without payload and counterweights		274.4 kg	300.9 kg

Tab. 8: Data for 400-R2 version

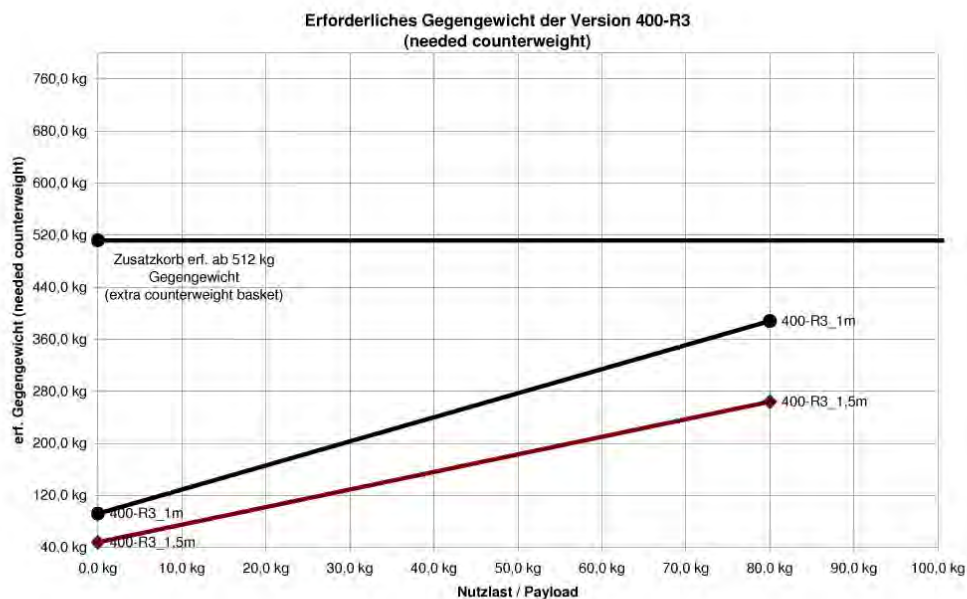


14.3 400-R3 version

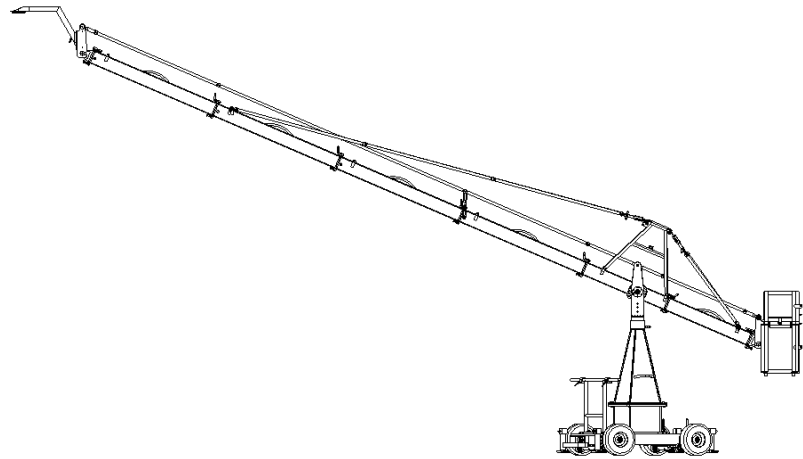


Rear boom		1 m	1.5 m
Required boom, front		3 x 1.5 m	3 x 1.5 m
Strut bars / parallelogram bars	Front	9 x 1.5 m	9 x 1.5 m
	Rear	3 x 1 m	3 x 1.5 m
Total travel		8.63 m	8.63 m
Maximum height	Without column extension	6.28 m	5.25 m
	With column extension	6.61 m	6.42 m
Counterweight unloaded		92 kg	48 kg
Payload		80 kg	80 kg
Counterweight with payload		388 kg	264 kg
Boom length	Front (reception flange)	6.05 m	6.05 m
	Rear (outer edge of basket)	1.97 m	2.45 m
Own weight without payload and counterweights		272.2 kg	298.7 kg

Tab. 5: Data for 400-R3 version

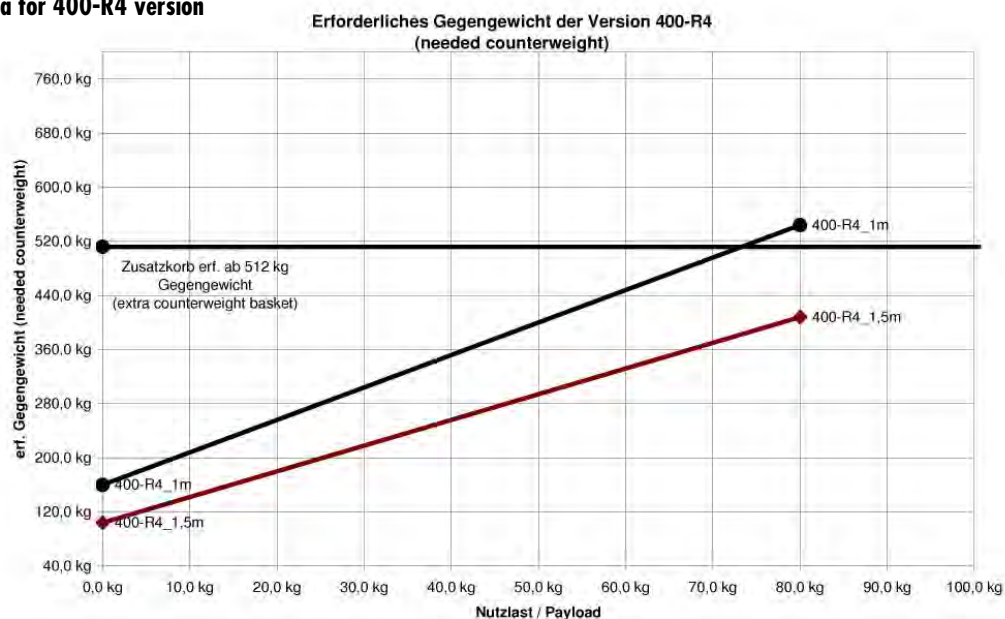


14.4 400-R4 version

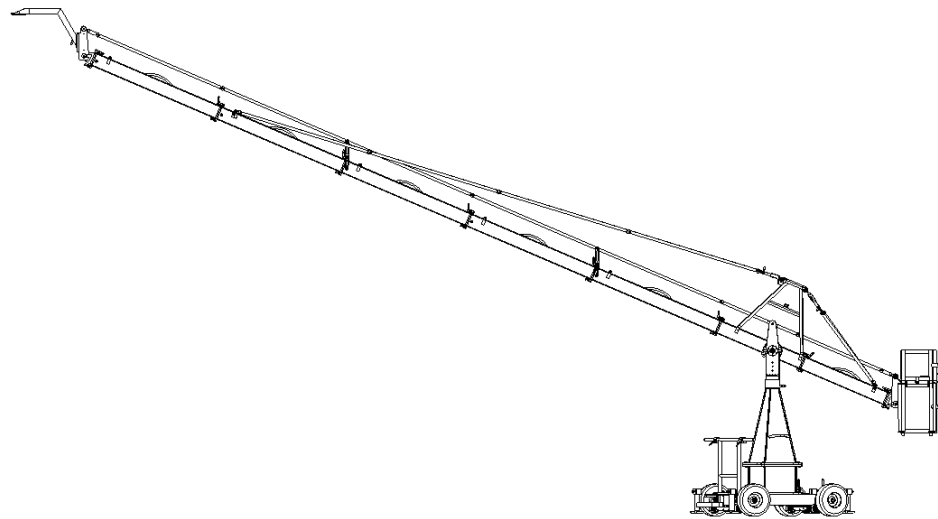


Rear boom		1 m	1.5 m
Required boom, front		4 x 1.5 m	4 x 1.5 m
Strut bars / parallelogram bars	Front	10 x 1.5 m	10 x 1.5 m
	Rear	3 x 1 m	3 x 1.5 m
Total travel		11.08 m	11.08 m
Maximum height	Without column extension	7.5 m	6.18 m
	With column extension	7.83 m	7.54 m
Counterweight unloaded		160 kg	104 kg
Payload		80 kg	80 kg
Counterweight with payload		544 kg	400 kg
Boom length	Front (reception flange)	7.57 m	7.57 m
	Rear (outer edge of basket)	1.97 m	2.45 m
Own weight without payload and counterweights		307 kg	333.5 kg

Tab. 9: Data for 400-R4 version

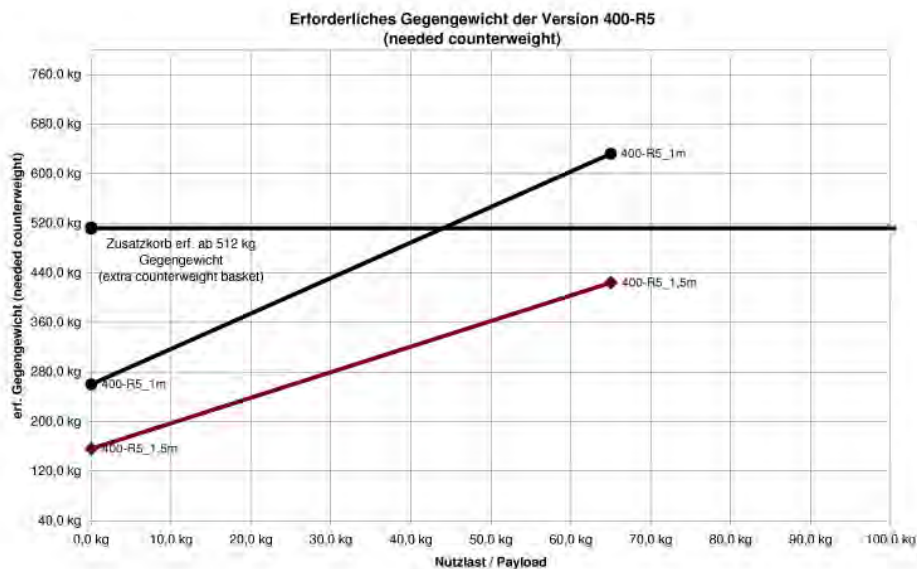


14.5 400-R5 version

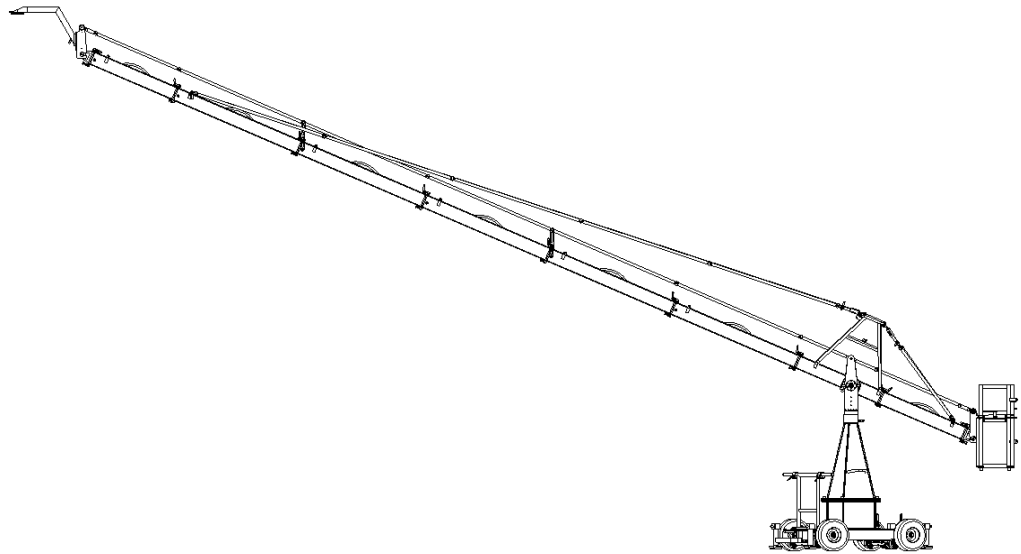


Rear boom		1 m	1.5 m
Required boom, front		5 x 1.5 m	4x1.5m+1x1m
Strut bars / parallelogram bars	Front	13 x 1.5 m	12x1.5m+1x1m
	Rear	3 x 1 m	3 x 1.5 m
Total travel		13.54 m	13.54 m
Maximum height	Without column extension	8.49 m	7.12 m
	With column extension	8.82 m	8.7 m
Counterweight unloaded		260 kg	156 kg
Payload		65 kg	65 kg
Counterweight with payload		632 kg	424 kg
Boom length	Front (reception flange)	9.9 m	9.9 m
	Rear (outer edge of basket)	1.97 m	2.45 m
Own weight without payload and counterweights		323.6 kg	350.1 kg

Tab. 10: Data for 400-R5 version

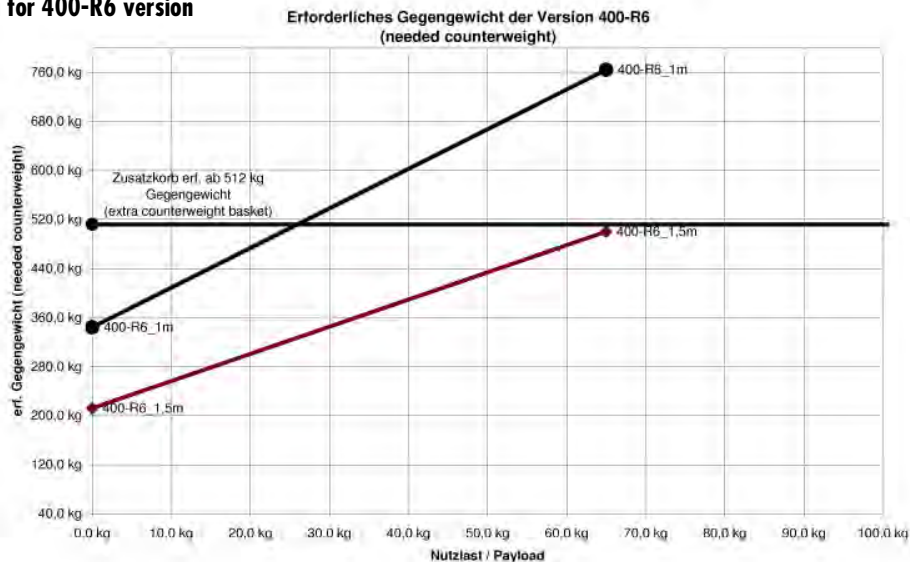


14.6 400-R6 version

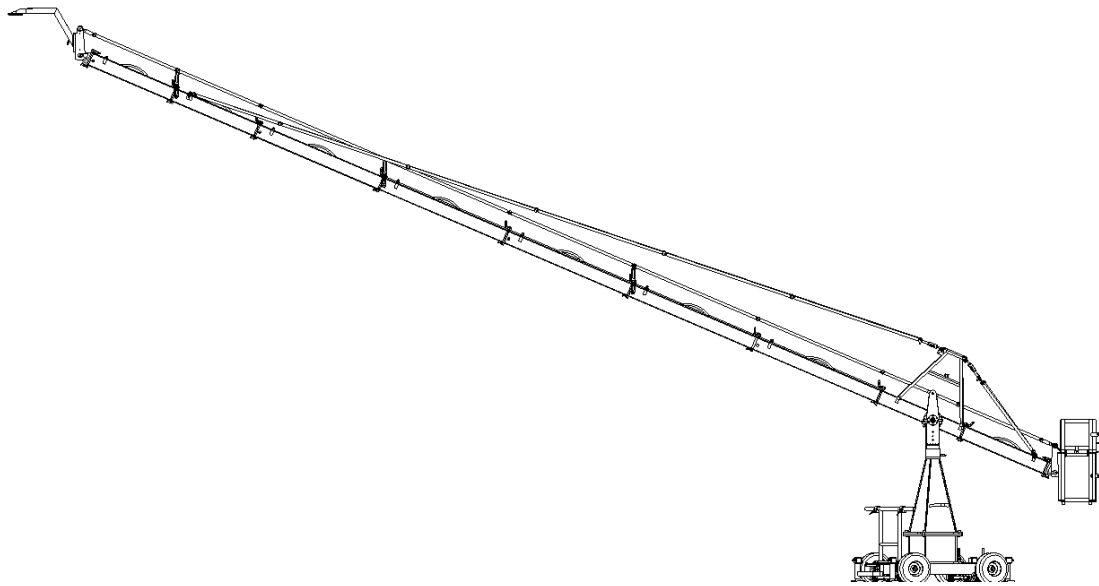


Rear boom		1 m	1.5 m
Required boom, front		5x1.5m+1x1m	4x1.5m+2x1m
Strut bars / parallelogram bars	Front	15x1.5m+1x1m	12x1.5m+4x1m
	Rear	3 x 1 m	3 x 1.5 m
Total travel		15.52 m	15.52 m
Maximum height	Without column extension	9.7 m	7.5 m
	With column extension	10.03m	9.3 m
Counterweight unloaded		344 kg	220 kg
Payload		65 kg	65 kg
Counterweight with payload		764 kg	500 kg
Boom length	Front (reception flange)	10.13 m	9.68 m
	Rear (outer edge of basket)	1.97 m	2.45 m
Own weight without payload and counterweights		333.1 kg	359.6 kg

Tab. 11: Data for 400-R6 version



14.7 400-R7 version



Rear boom		1 m	1.5 m
Required boom, front		5x1.5m+2x1m	4x1.5m+3x1m
Strut bars / parallelogram bars	Front	15x1.5m+4x1m	12x1.5m+7x1m
	Rear	3 x 1 m	3 x 1.5 m
Total travel		16.84 m	16.84 m
Maximum height	Without column extension	10.38 m	8.38 m
	With column extension	10.72 m	10.27 m
Counterweight unloaded		432 kg	276 kg
Payload		45 kg	65 kg
Counterweight with payload		760 kg	592 kg
Boom length	Front (reception flange)	11.13 m	10.64 m
	Rear (outer edge of basket)	1.97 m	2.45 m
Own weight without payload and counterweights		344.4 kg	367.4 kg

Tab. 12: Data for 400-R7 version

